



GESSI

KITCHEN COLLECTION



The pursuit of excellence Ethics, Research and Quality

Gessi is one uncompromisingly Italian company that pursues fully integrated manufacturing of its designs including every component and process within the Gessi Park, an oasis-like verdant compound where the Company has adopted the very best practices in the business.

In fact Gessi has been seriously involved in researching and developing technological and technical solutions for its products and processes for years. These aimed at reducing consumption and minimizing environmental impact, while maintaining the highest levels of aesthetic design and offering ever new and innovative value added solutions.









The Company not only boasts quality and product conformity certificates from the world's most renowned certification bodies, but has also held UNI EN ISO 9001 certifications for the Company's production methods and production systems since 1996. In fact, Gessi represents the extremely rare case of a company that has been awarded triple certification for quality, safety and environmental protection.

Gessi items are made by components manufactured in CW511L lead free alloy. This type of brass is matching the most severe Australian standards concerning low - percentage of lead, in fulfilling the criteria of the drinkable -water regulation. The CW511L alloy contains no lead, matching the strictest standards on the matter.

The Company's total quality concept, rests not merely on adhering to standards and regulations, but it is rather a shared value and a central indispensable element that reflects the Company's business philosophy.

This value setting gives rise to "technologically handcrafted" objects, a subtle oxymoron used to express the unique combination of high-tech manufacturing techniques with the wisdom of passionate craft specialists.



AT A GLANCE

EXTRACTIBLE HANDSHOWER

Pull out hand shower provides the greatest freedom of movement. Press the button to switch from the softer aerated flow to the forceful jet spray.

The hand shower mixers (single and double jet) are equipped with specially designed components that minimize limestone deposits and also includes a non-return check valve.



GESSI SHINE SURFACE

The special Gessi plating process ensures surfaces are resistant to stains guaranteeing a long lasting and durable sheen to your finish.



SWIVELLING SPOUT

All kitchen mixers offer the possibility of orientation of the spout, up to a total freedom of movement at 360 °.



CARTRIDGES

All mixer contain ceramic disk cartridge and are tested to 70000 opening/closing movements, this correspond to 10 years of use by an average family of 4. In the tests performed by Gessi the cartridges failed after 200000 opening and closing movements using medium/hard water.

A sample "hammer test" is performed, which consist of the rapid opening of the mixer which exposes the cartridge to a sudden shock caused by the water pressure. The test is classified as a pass when the cartridge still operates when opened at a water pressure of up to 50 bar.





COLLECTION

THIS
SEM
MEM



60003BNB

FINISHES

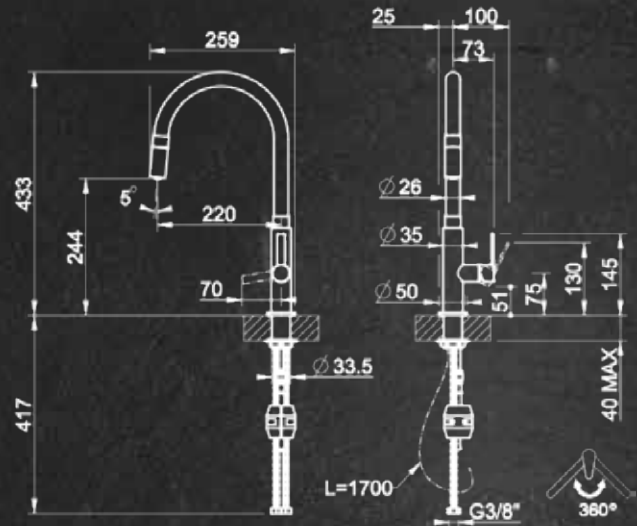


BRUSHED
NICKEL/
BLACK



MESH

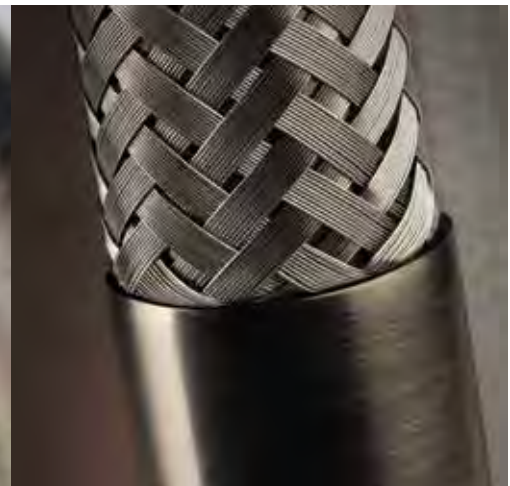
60003BNB



- Brushed Nickel finish with black handle
- Sink mixer swivelling spout
- and pull-out single jet spray
- Mixer hole 33.5mm
- Rotation spout 360°
- Cartridge diameter \varnothing 25mm
- WELS 5 Star, 5.0L/min
- WELS Registration #T32121

BRUSHED NICKEL/
MATTE BLACK (BNB)

DESIGN_GESSI
STYLE STUDIO
GESSI PATENT



MESH

COLLECTION

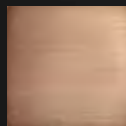
OFFICINE



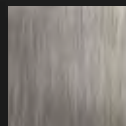
60051

60053

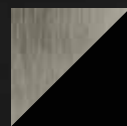
FINISHES



COPPER
BRUSHED
PVD



BLACK
METAL
BRUSHED
PVD



BLACK/
BRUSHED
NICKEL



BRUSHED
NICKEL



CHROME

OFFICINE



CHROME

COPPER BRUSHED
(COB)

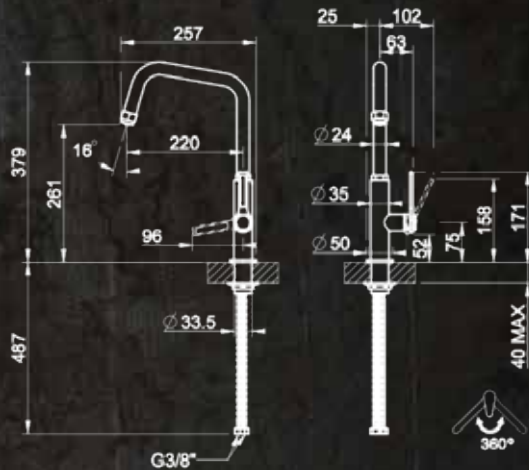
BLACK METAL BRUSHED
(BMB)

BRUSHED NICKEL
(BN)

MATTE BLACK /
BRUSHED NICKEL (B)

60051

- 60051BN
- 60051B
- 60051BMB
- 60051COB



- Sink mixer swivelling spout
- Mixer hole Ø 33.5mm
- Rotation spout 360°
- Cartridge Ø 25mm
- WELS 4 Star, 7.0L/min
- WELS Registration #T32110

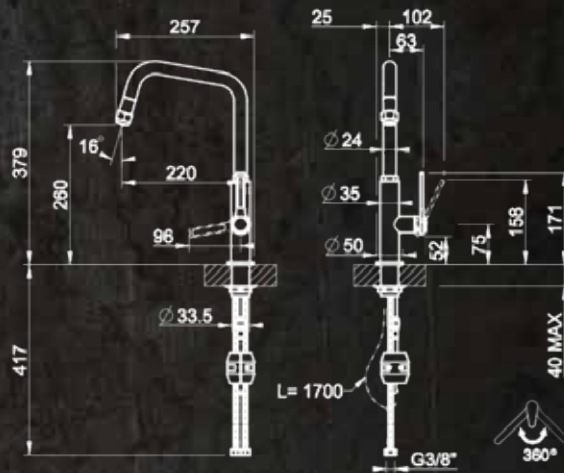


OFFICINE



60053

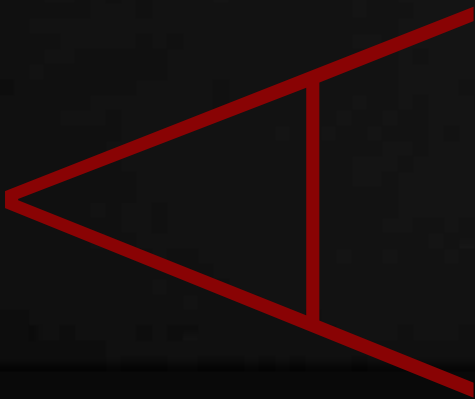
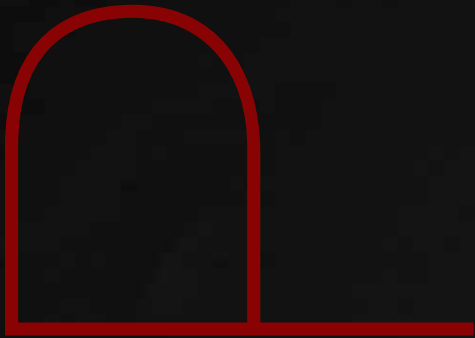
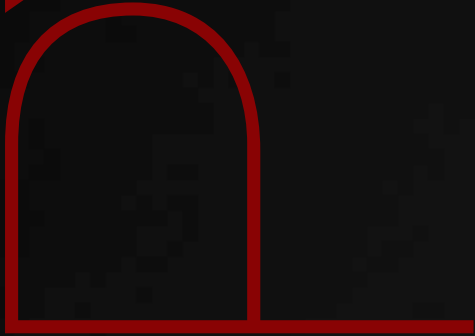
60053BN
60053B
60053BMB
60053COB



- Sink mixer swivelling spout, pull-out single jet spray
- Mixer hole $\varnothing 33.5$ mm
- Rotation spout 360°
- Cartridge $\varnothing 25$ mm
- WELS 5 Star, 5.0L/min
- WELS Registration # T32122



COLLECTION





60061GB

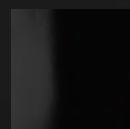


60061GW

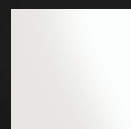


60061R

FINISHES



GLOSSY
BLACK



GLOSSY
WHITE



GLOSSY
RED

K
A
N
A



GESSI'S DESIGN RECALLS IN A CREATIVE WAY THE OPTIMISTIC SPIRIT OF THE FIFTIES AND THEIR ICONIC STYLE

The iconic objects of the 50's and 60's like Smeg domestic appliances, Brionvega's radio or bakelite telephones are not just integral parts of the industrial design, but they are also universally identified as timeless goods. Inspired by these iconic products, **HAPPY** by Gessi recalls and proposes a specific trend of the last few years for the first time in a range of taps: the protagonist is, of course, the return of the mid-20th Century taste. From the choice of pastel finishes to the aesthetical details, Gessi elegantly and playfully recalls and revises the typical styles of that time.

GLOSSY RED (R)

GLOSSY BLACK
(GB)

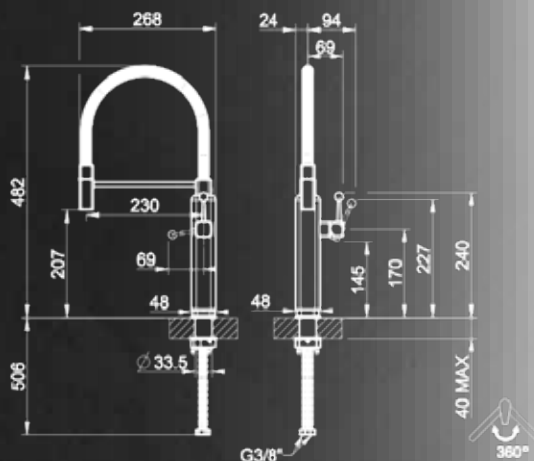
GLOSSY WHITE
(GW)



60061GB

60061GW

60061R



- Semi-professional sink mixer swivelling spout
- and single jet spray
- Mixer hole Ø 35mm
- Rotation spout 360°
- Cartridge Ø 25mm
- WELS 5 Star, 6.0L/min
- WELS Registration #T32119



COLLECTION

JUST/
JUST COLOR
JUST

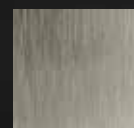


20577

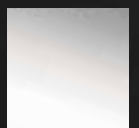


20587

FINISHES



BRUSHED
NICKEL



CHROME



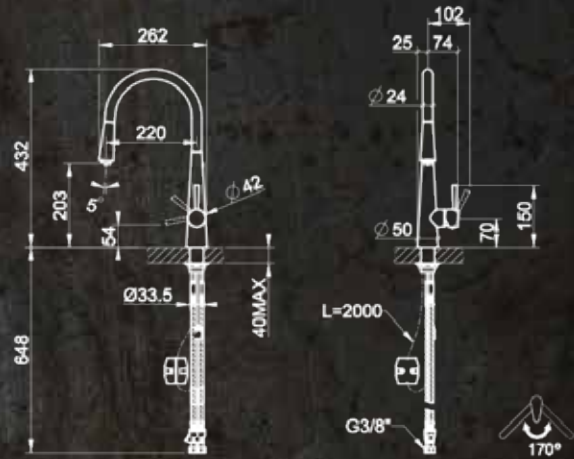
CHROME

BRUSHED NICKEL
(BN)

JUST

COLOR

20587 20587BN



- Sink mixer swivelling spout and pull-down single jet spray - Depending on the water temperature changeable colour led
- Mixer hole 33,5mm
- Rotation spout 170°
- Cartridge diameter Ø 35mm
- WELS: 5 Star, 5.0L/min
- WELS Registration T28824





JUST

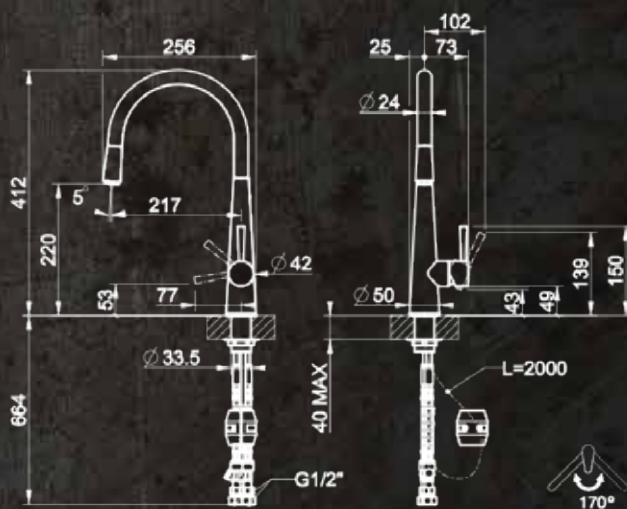
27

CHROME

BRUSHED NICKEL
(BN)



20577
20577BN



- Sink mixer swivelling spout and pull-down single jet spray
- Mixer hole 33.5mm
- Rotation spout 170°
- Cartridge diameter Ø 35mm
- WELS: 5 Star, 6.0L/min
- WELS Registration T31036



JUST COLOR

COLLECTION

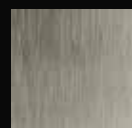
EE
NE
EE
GG
XX
OO



13193

20573

FINISHES



BRUSHED
NICKEL



CHROME

30

OXYGENE

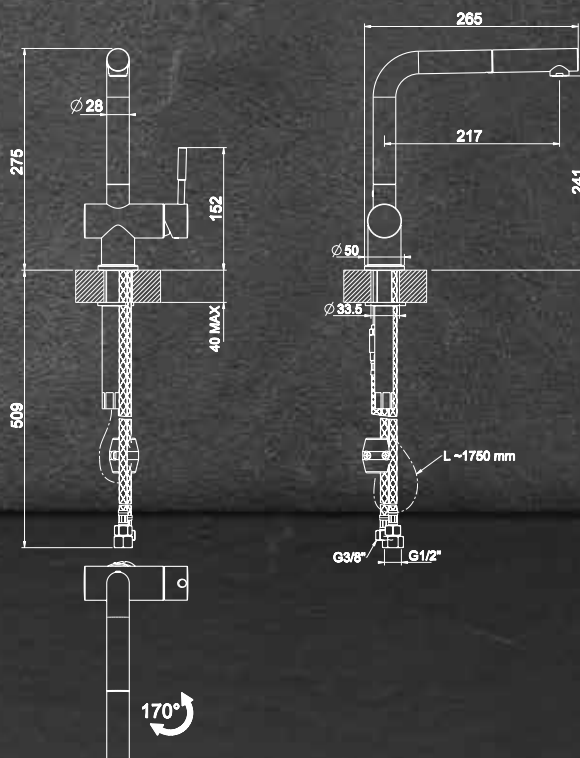
COLLECTION

CHROME

BRUSHED NICKEL(BN)



13193
13193BN



- Sink mixer swivelling spout and pull-down double jet spray
- Mixer hole \varnothing 33.5mm
- Rotation spout 360°
- Cartridge \varnothing 25mm
- WELS rating: 4 Star, 6.5L/min
- WELS Registration #T09381



32



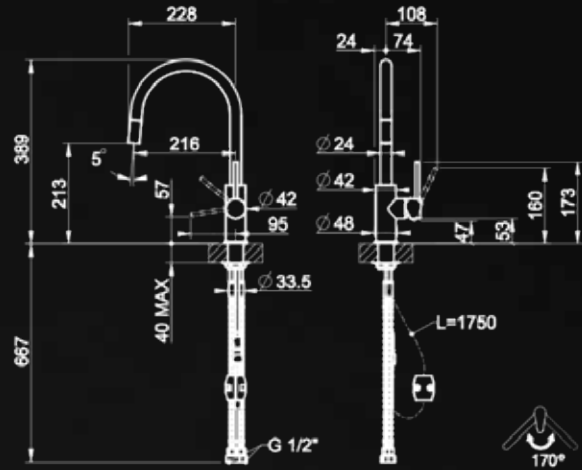
CHROME

BRUSHED NICKEL (BN)

TECHNOLOGY FOR THE KITCHEN



20573
20573BN



- Sink mixer swivelling spout and pull-out single jet spray
- Mixer hole 33.5 mm
- Rotation spout 170°
- Cartridge diameter Ø 35 mm
- WELS rating: 5 Star, 6.0L/min
- WELS Registration #T25408



OXYGENE

COLLECTION

COLLECTION

W H

Z H

E

G

X

O



00950

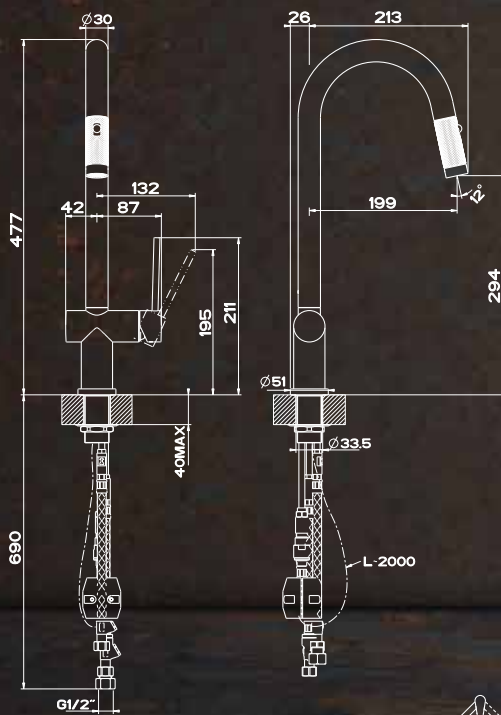
FINISHES



CHROME

OXYGENE HT

COLLECTION



00950



- Sink sloping mixer swivelling spout
- Dual function spray
- Mixer hole 33.5mm
- Rotation spout 360°
- Cartridge diameter $\varnothing 25$ mm
- WELS 5 star, 5.0L/min
- WELS Registration #T30965

CHROME



COLLECTION

QUADRO
HITTECH



16774

FINISHES



CHROME

40



TECHNOLOGY FOR THE KITCHEN

QUADRO

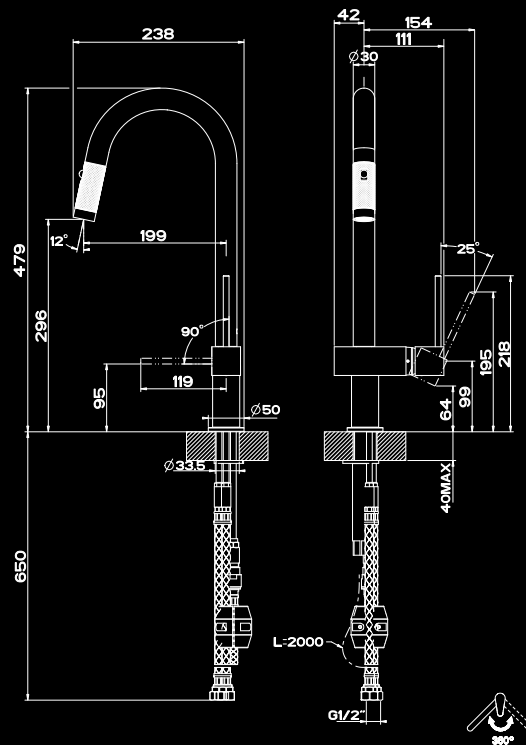
HI TECH COLLECTION

CHROME



16774

- Sink sloping mixer swivelling spout
- Dual function spray
- Mixer hole 33.5mm
- Rotation spout 360°
- Cartridge diameter Ø 25mm
- WELS 5 star, 5.0L/min
- WELS Registration #T30964



COLLECTION

ROMANOFF



08744

FINISHES



BRONZE



BRUSHED
NICKEL



CHROME

44

RO



CHROME

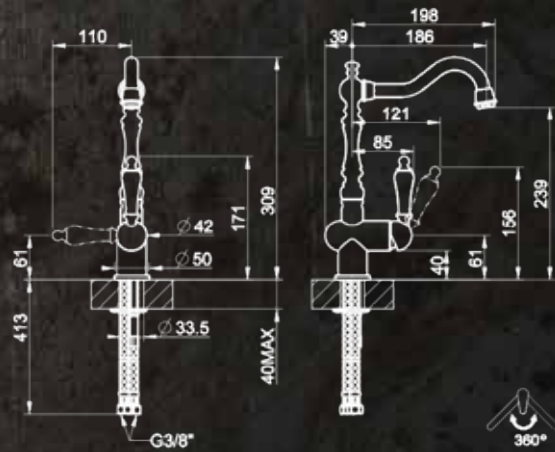
BRUSHED NICKEL
(BN)

BRONZE
(BR)

TECHNOLOGY FOR THE KITCHEN

MANANCE

COLLECTION



08744
08744BN
08744BR

- Sink mixer swivelling spout
- Mixer hole 33.5mm
- Rotation spout 360°
- Cartridge diameter Ø 35mm
- WELS 4 star, 7.5L/min
- WELS Registration #T30053



COLLECTION

NO
T
R
E

TECHNOLOGY FOR THE KITCHEN



17153



17175

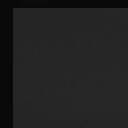


17177

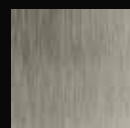
FINISHES



CHROME / BLACK



BLACK



BRUSHED NICKEL

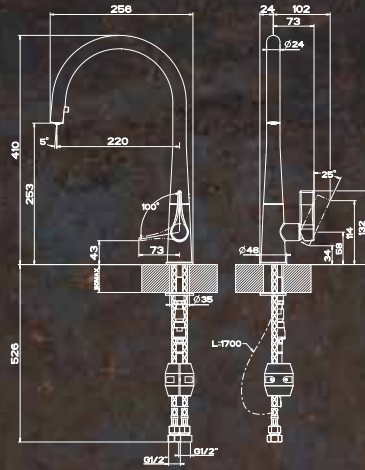


CHROME



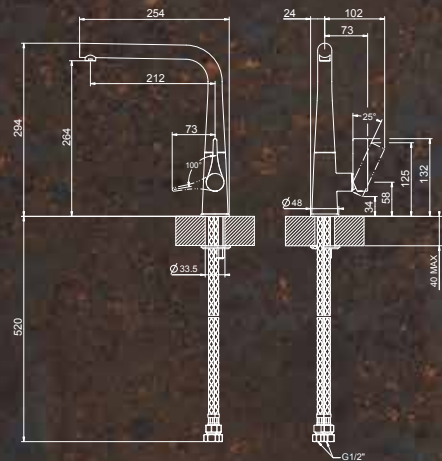
17153
17013BN
17153B

- Sink mixer swivelling spout and pull-out single jet spray
- Mixer hole 33.5mm
- Rotation spout 360°
- Cartridge diameter Ø 25 mm
- WELS rating: 5 Star, 6.0L/min
- WELS Registration #T30088



17175
17175BN
17175B

- Sink mixer swivelling spout
- Mixer hole 33.5mm
- Rotation spout 360°
- Cartridge diameter Ø 25 mm
- WELS rating: 4 Star, 7.0L/min
- WELS Registration #T32105



49



CHROME

BRUSHED NICKEL
(BN)

BLACK (B)

PROTON



COLLECTION

EMPERIO



29811



23543



37064



17072



17073



17051



17053

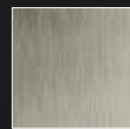
FINISHES



CHROME/
WHITE



CHROME
/BLACK



BRUSHED
NICKEL



CHROME

EMPERIO



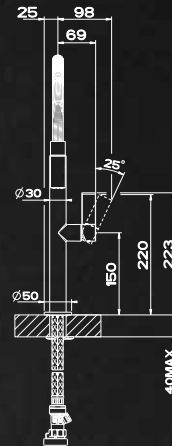
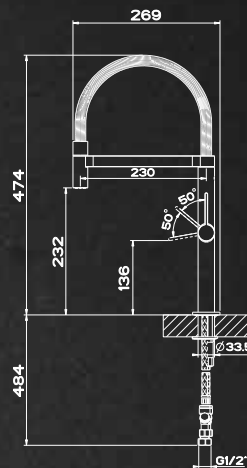
CHROME

BRUSHED NICKEL
(BN)



29811

29811BN

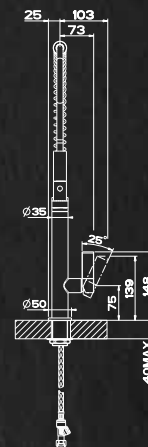
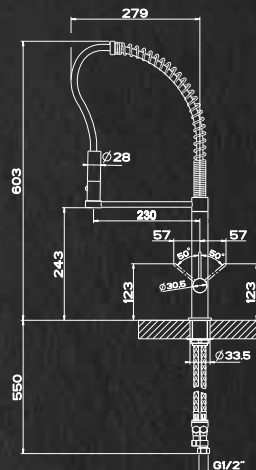


- Sink mixer swivelling spout and pull-out single jet spray
- Mixer hole 33.5mm
- Rotation spout 360°
- Cartridge diameter Ø 25 mm
- WELS rating: 4 Star, 7.5L/min
- WELS Registration #T24574



23543

23543BN



- Sink mixer swivelling spout & pull-out dual function spray
- Mixer hole 33.5mm
- Rotation spout 360°
- Cartridge diameter Ø 25 mm
- WELS rating: 5 Star, 6.0L/min
- WELS Registration #T30051





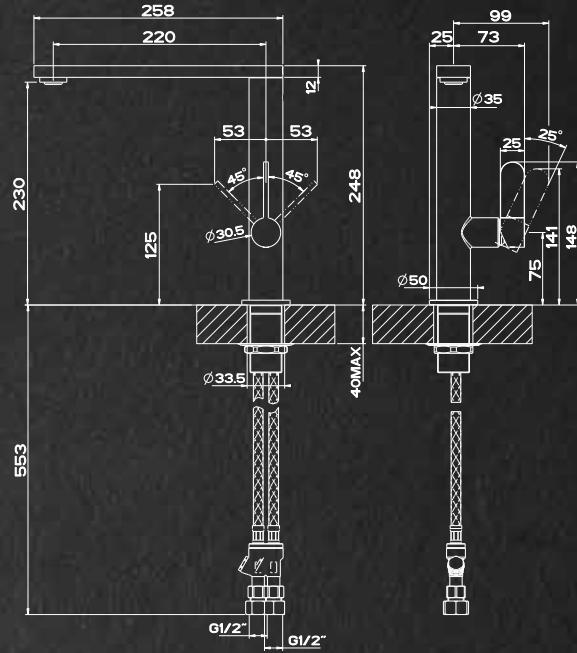
CHROME

BRUSHED NICKEL
(BN)



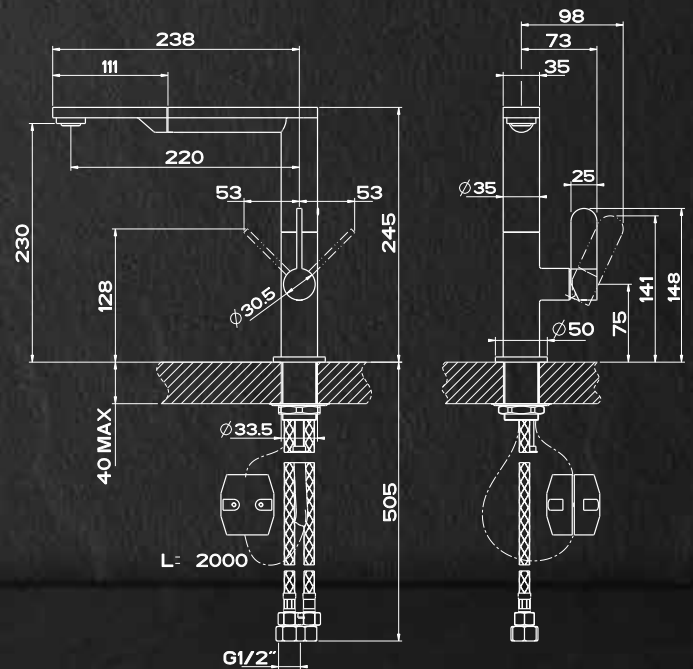
17072
17072BN

- Sink mixer swivelling spout
- Mixer hole 33.5mm
- Rotation spout 360°
- Cartridge diameter Ø 25 mm
- WELS rating: 5 Star, 6.0L/min
- WELS Registration #T25439



17073
17073BN

- Sink mixer swivelling spout and pull-out single jet spray
- Mixer hole 33.5mm
- Rotation spout 360°
- Cartridge diameter Ø 25 mm
- WELS rating: 4 Star, 7.5L/min
- WELS Registration #T25575



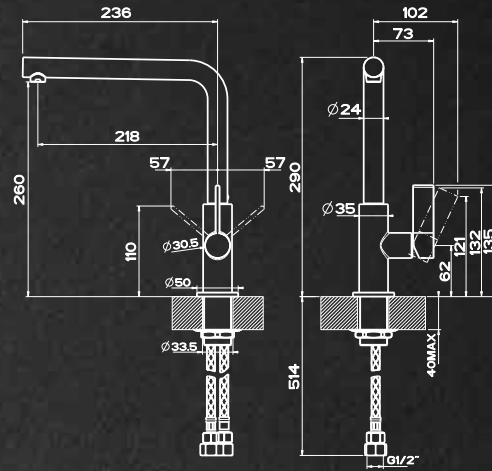


CHROME

BRUSHED NICKEL
(BN)

CHROME/
BLACK

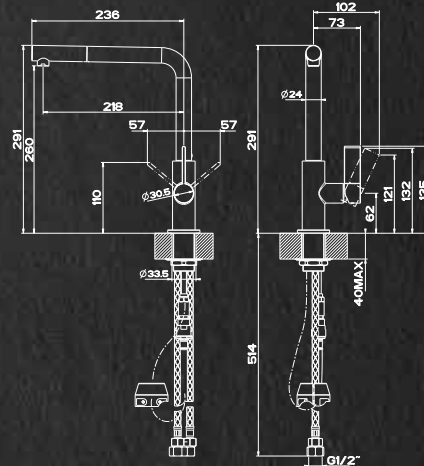
CHROME/
WHITE



17051

17051BN
17051 chrome/white
17051 chrome/black

- Sink mixer swivelling spout
- Mixer hole 33.5mm
- Rotation spout 360°
- Cartridge diameter Ø 25 mm
- WELS rating: 4 Star, 7.5L/min
- WELS Registration #T25426

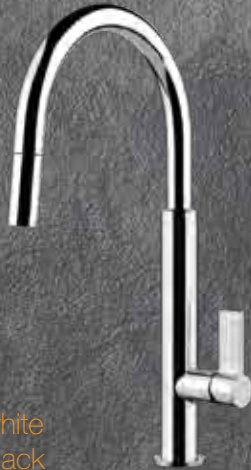


17053

17053BN
17053 chrome/white
17053 chrome/black

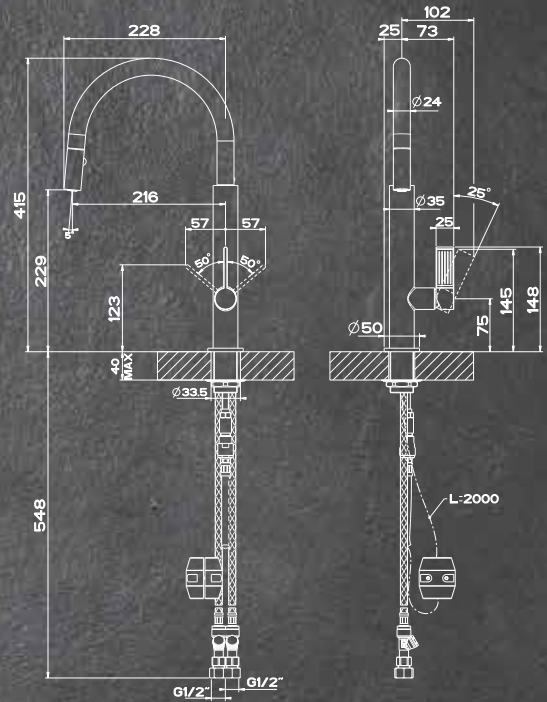
- Sink mixer swivelling spout with pull out
- Mixer hole 33.5mm
- Rotation spout 360°
- Cartridge diameter Ø 25 mm
- WELS rating: 5 Star, 6.0L/min
- WELS Registration #T25477





37064
 37064BN
 37064 chrome/white
 37064 chrome/black

- Sink mixer swivelling spout and pull-out dual jet spray
- Mixer hole 33.5mm
- Rotation spout 360°
- Cartridge diameter Ø 25 mm
- WELS rating: 5 Star, 6.0L/min
- WELS Registration #T31062



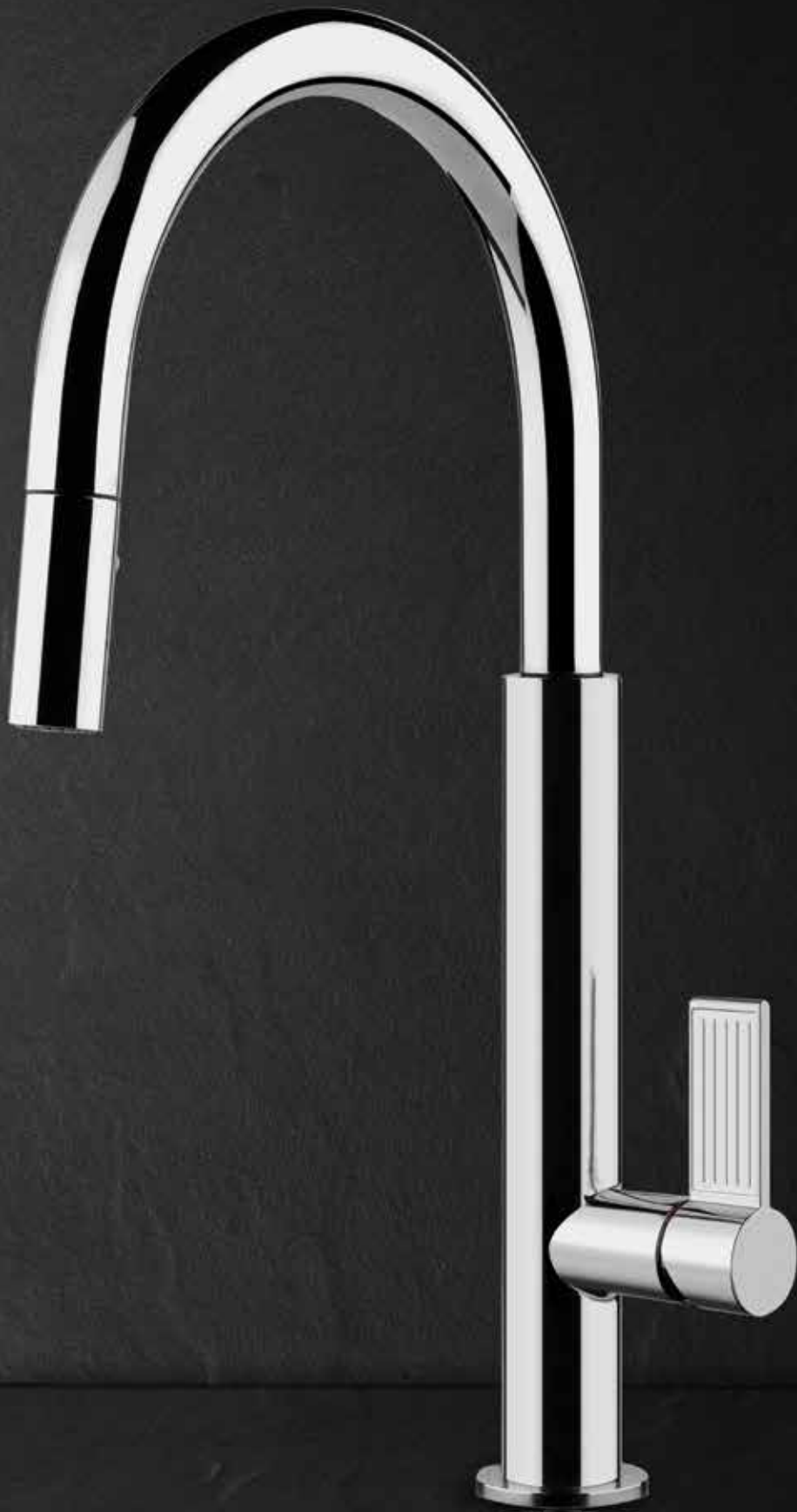
CHROME

BRUSHED NICKEL
(BN)

CHROME/
BLACK

CHROME/
WHITE





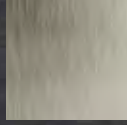
FINISHINGS

GLOSSY

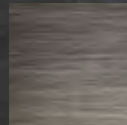


CHROME

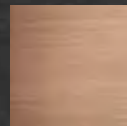
BRUSHED



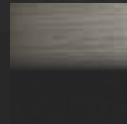
BRUSHED
NICKEL



BLACK METAL
BRUSHED
PVD



COPPER
BRUSHED
PVD



MATTE
BLACK /
BRUSHED
NICKEL



BRONZE

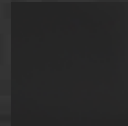
MATTE PAINTED



CHROME /
BLACK

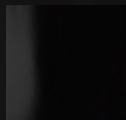


CHROME /
WHITE

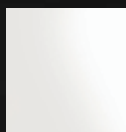


MATTE
BLACK

GLOSSY PAINTED



GLOSSY
BLACK



GLOSSY
WHITE



GLOSSY
RED

VICTORIA

Abey Head Office

57-81 Abey Rd
Cobblebank

Ph: 03 9747 7777

Selection Gallery

335 Ferrars St
Albert Park

Ph: 03 8696 4000

NEW SOUTH WALES

Office

1E Danks St
Waterloo

Selection Gallery

Ph: 02 8572 8500

QUEENSLAND

Office

33-35 Blue Eagle Dr
Meadowbrook

Ph: 07 3440 5500

Selection Gallery

94 Petrie Tce
Brisbane

Ph: 07 3369 4777

NORTHERN TERRITORY

Ph: 1800 809 143

SOUTH AUSTRALIA

Ph: 1800 809 143

TASMANIA

Ph: 1800 809 143

WESTERN AUSTRALIA

Selection Gallery

12 Sundercombe St
Osborne Park

Ph: 08 9208 4500

OCTOBER 2018

The information within this Gessi Kitchen Collection is current as of October 2018. For up-to-date information, please visit **abey.com.au**. Abey recommends sink cut outs to only be undertaken with the actual physical product as a guide.

INFORMATION ABEY

Abey's Selection Galleries specialise in showcasing the latest trends and designs from Italy. With a large range on offer, you can create a Kitchen that is tailored to your taste whilst displaying the latest in European styling. With a qualified design team to assist you, immerse yourself in the selection process at one of our galleries today.