


MOOD HOBS

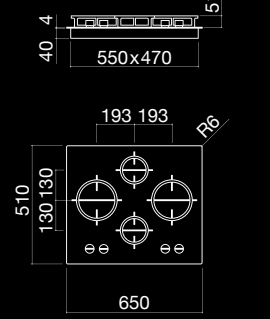
1PMD64
65 cm Mood built-in hob
 Flat Eco-design 3 gas burners + 4 kW double ring



- 4 mm AISI 304 stainless steel or glass ceramic
- Flat Eco-design gas burners
- Soft-Touch cast iron pan supports and burner caps


Burners power:

- 1 auxiliaries: 4 MJ/h
- 1 semi-rapid: 7 MJ/h
- 1 rapid: 11.3 MJ/h
- 1 triple ring: 15.5 MJ/h



4mm STAINLESS STEEL	code 1PMD64
4mm BLACK GLASS CERAMIC	code 1PMD64B

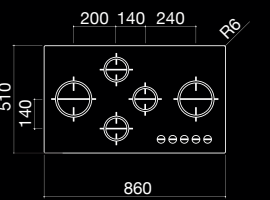
1PMD95
90 cm Mood built-in hob
 Flat Eco-design 4 gas burners + 4 kW double ring



- 4 mm AISI 304 stainless steel or glass ceramic
- Flat Eco-design gas burners
- Soft-Touch cast iron pan supports and burner caps


Burners power:

- 1 auxiliaries: 4 MJ/h
- 2 semi-rapids: 7 MJ/h
- 1 rapid: 11.3 MJ/h
- 1 triple ring: 15.5 MJ/h



4mm STAINLESS STEEL	code 1PMD95
4mm STAINLESS STEEL	code 1PMD95B

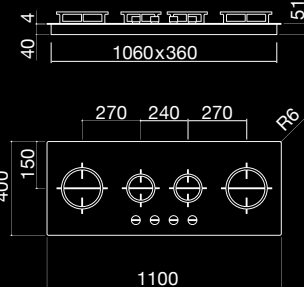
1PMD104
110 cm Mood built-in hob
 Flat Eco-design 3 gas burners + 4 kW double ring



- 4 mm AISI 304 stainless steel or glass ceramic
- Flat Eco-design gas burners
- Soft-Touch cast iron pan supports and burner caps

Burners power:


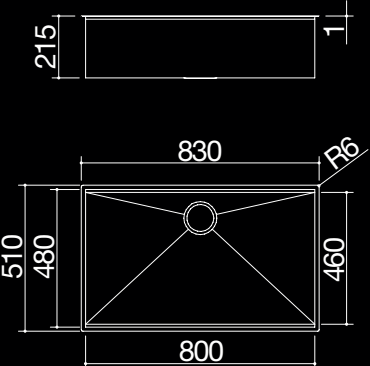

- 1 auxiliaries: 4 MJ/h
- 1 semi-rapid: 7 MJ/h
- 1 rapid: 11.3 MJ/h
- 1 triple ring: 15.5 MJ/h



4mm STAINLESS STEEL	code 1PMD104
4mm BLACK GLASS CERAMIC	code 1PMD104B

FLEXI SINKS

1QA841IN
86x46 cm Flexi built-in and flush sink
 1 bowl with radius "0" with lowering

- extra thick stainless steel AISI 304
- 80x46x21.5 h cm bowl
- bowl with lowering for sliding of accessories
- equipment: 31/2" basket strainer waste, black Smart pop-up plug, perimeter overflow
- 90 cm base unit for bowl
- 81x49 cm cut out flush: see website

STAINLESS STEEL

Accessories

-  code 1SPSN
-  code 1GQN

Standard equipment: Fixing clips, black smart pop-up plug and overflow kit. code 1SPSN



VICTORIA
 Abey Head Office
 57-81 Abey Rd
 Cobblebank
 Ph: 03 9747 7777
Selection Gallery
 335 Ferrars St
 Albert Park
 Ph: 03 8696 4000

NEW SOUTH WALES
 Office
 1E Danks St
 Waterloo
Selection Gallery
 Ph: 02 8572 8500

QUEENSLAND
 Office
 33-35 Blue Eagle Dr
 Meadowbrook
 Ph: 1800 809 143
Selection Gallery
 94 Petrie Tce
 Brisbane
 Ph: 07 3369 4777

NORTHERN TERRITORY
 Ph: 1800 809 143

SOUTH AUSTRALIA
 Ph: 1800 809 143

TASMANIA
 Ph: 1800 809 143

WESTERN AUSTRALIA
Selection Gallery
 12 Sundercombe St
 Osborne Park
 Ph: 08 9208 4500

MARCH 2021



For full terms and conditions on the 5 years warranty, visit www.abey.com.au



PRODUCT RANGE

BARAZZA
 taste of design

LAB EVOLUTION FEATURES

Flush design and lowered burners



Lab has evolved and now boasts a new design for its pan support that even more iconic and geometrical. The flat, minimal knobs and the exclusive Flat Eco-Design burners ensure high performance and unbeatable efficiency.

Flat Eco-Design burners with vertical flame



The special design of the Flat Eco-Design burners generates a vertical flame which allows greater efficiency, reduced energy consumption, less heat loss and uniform cooking.

Soft-Touch cast iron pan supports



The new Soft-Touch cast iron pan supports are pleasant to the touch, more resistant and offer the great advantage of being dishwasher safe.

Flat Knobs



The exclusive design of the knobs recalls the geometry of the burner, creating a perfectly balanced overall effect.

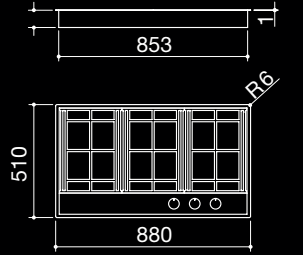
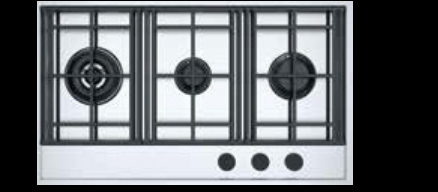
LAB EVOLUTION

LAB EVOLUTION Look below the surface.

Modularity and flexibility merge with a pure and essential style that runs the length of the surface, perfectly in line with the worktop. The strong personality of Lab is taken to a new level with the Lab Evolution hobs: wider depth, Flat Eco-Design burners and pan supports in Soft-Touch cast iron.

1PLE2D

90 cm Lab Evolution built-in and flush hob
2 gas burners + 1 Flat Eco-Design double ring



- extra thick stainless steel AISI 304
- Flat Eco-Design burners
- Soft-Touch cast iron pan supports
- 86x49 cm cut out flush: see website

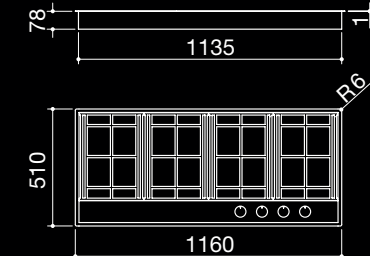
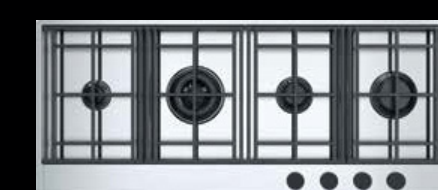
- Burners power:**
- 1 semi-rapid: 7Mj/h
 - 1 rapid: 11.3Mj/h
 - 1 double ring: 15.5Mj/h

STAINLESS STEEL

code 1PLE2D

1PLE3D

120 cm Lab Evolution built-in and flush hob
3 gas burners + 1 Flat Eco-Design double ring



- extra thick stainless steel AISI 304
- Flat Eco-Design burners
- Soft-Touch cast iron pan supports
- 114x49 cm cut out flush: see website

- Burners power:**
- 1 auxiliary: 4Mj/h
 - 1 semi-rapid: 7Mj/h
 - 1 rapid: 11.3Mj/h
 - 1 double ring: 15.5Mj/h

STAINLESS STEEL

code 1PLE3D



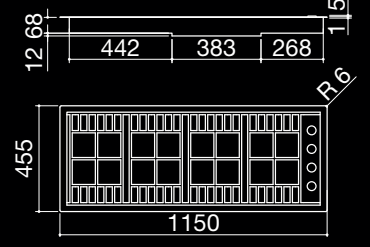
Lab Evolution 120 cm hob - 3 gas burners + Flat Eco-Design double ring code 1PLE3D

LAB



LABH1200

120 cm Lab built-in and flush hob
3 gas burners + triple ring



- AISI 304 extra thick stainless steel
- integrated side control panel

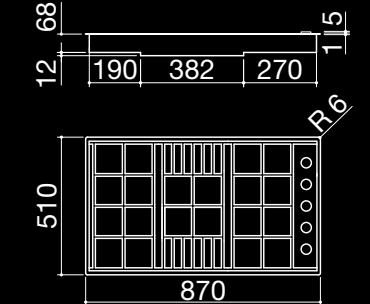
- Burners power:**
- 1 auxiliary: 4 Mj/H
 - 1 semi-rapid: 7 Mj/H
 - 1 rapid: 10 Mj/H
 - 1 triple ring: 15 Mj/H

STAINLESS STEEL with cast iron pan supports and burner caps

code LABH1200

LABH900

90 cm Lab built-in and flush hob
4 gas burners + triple ring



- AISI 304 extra thick stainless steel
- integrated side control panel

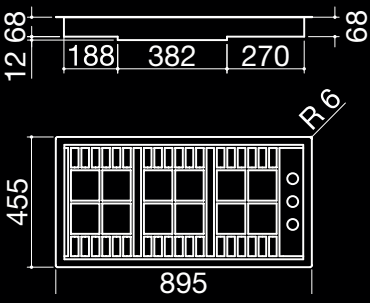
- Burners power:**
- 1 auxiliary: 4 Mj/H
 - 2 semi-rapid: 7 Mj/H
 - 1 rapid: 10 Mj/H
 - 1 triple ring: 15 Mj/H

STAINLESS STEEL with cast iron pan supports and burner caps

code LABH900

LABH900-3

90 cm Lab built-in and flush hob
2 gas burners + triple ring



- AISI 304 extra thick stainless steel
- integrated side control panel

- Burners power:**
- 1 auxiliary: 4 Mj/H
 - 1 semi-rapid: 7 Mj/H
 - 1 triple ring: 15 Mj/H

STAINLESS STEEL with cast iron pan supports and burner caps

code LABH900-3